

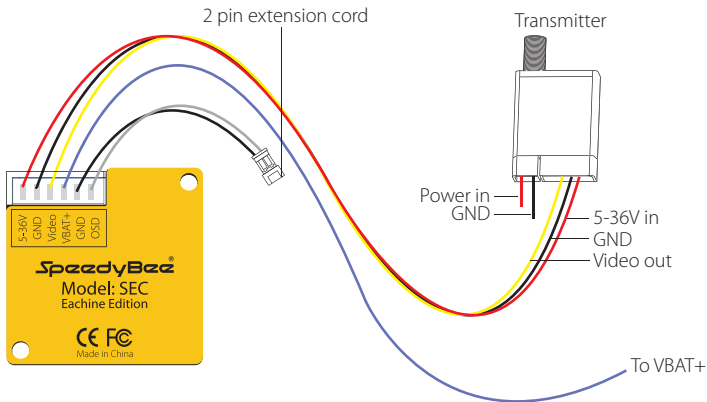


**Speedy Bee**<sup>®</sup>

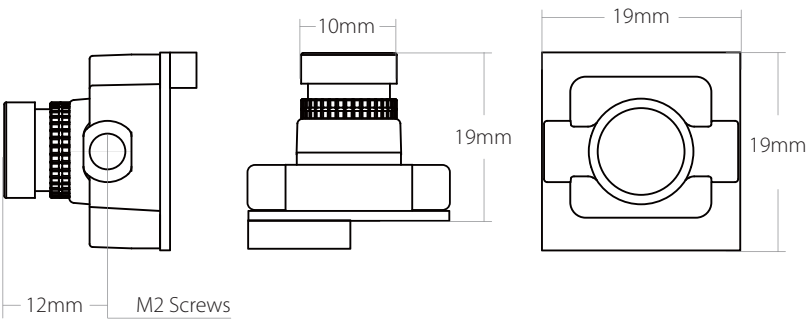
Contact us: info@speedybee.com



## Connection

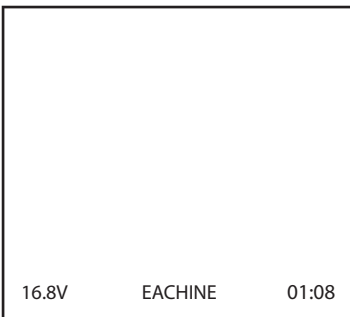


## Dimensions & Installation



## OSD Menu

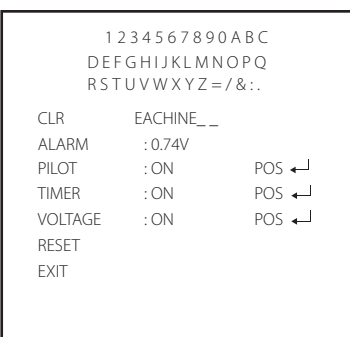
### • QUICK SETTINGS



### Quick settings:

- Long press UP button for three seconds to access to the OSD settings screen
- Long press LIGHT button for three seconds to calibrate the voltage. When the voltage text flashes, press UP/DOWN button to adjust it

## OSD Menu



- CLR: clear the ID character;
- ALARM: low voltage warning value, smartly judge the warning value of the battery when it's low; if set it manually, then it saves the manual preset value;
- Press the middle button to switch ON / OFF, then move to POS to enter the position adjustment.

## Camera Menu

### • MAIN MENU

PERSONAL MENU	
EXPOSURE	←↵
BACKLIGHT	←↵
WHITE BAL	ATW1
DAY & NIGHT	COLOR ←↵
IMAGE ADJ	←↵
DPC	←↵
LANGUAGE	ENGLISH
RESET	←↵
EXIT	

- LANGUAGE (English/中文)
- WHITE BAL (ATW1 / ATW2 / AWC → SET / MANUAL: MANUAL, INDOOR, OUTDOOR)
- DPC (Cover the lens then press enter key)

### • EXPOSURE

EXPOSURE	
SHUTTER	AUTO
BRIGHTNESS	050
AGC	OFF
DWDR	ON ←↵
RETURN	RET ←↵

- SHUTTER (AUTO / 50-100000 / FLK)
- BRIGHTNESS (50 / 0-255)
- AGC (OFF / LOW / MIDDLE / HIGH)
- DWDR (ON: 63 0-63 / OFF)

## Camera Menu

### • IMAGE ADJ

IMAGE ADJ	
LENS SHAD	OFF
2DNR	OFF
MIRROR	OFF
FONT COLOR	←↵
CONTRAST	110
SHARPNESS	026
DISPLAY	USER ←↵
NEG IMAGE	OFF
RETURN	

- LENS SHAD (OFF/ ON:22 0-255)
- CONTRAST (110 / 0-255)
- SHARPNESS (26 / 0-31)
- DISPLAY (CRT/LCD/USER)

### • USER ADJ.

GAMMA	0.50
PED LEVEL	017
COLOR GAIN	176
RETURN	RET ←↵

- GAMMA (0.5 / 0.05-1.0)
- PED LEVEL (17 / 0-63)
- COLOR GAIN (176 / 0-255)

## Camera Menu

### • BACKLIGHT (BLC / HLC / OFF)

BLC	
AREA SEL	AREA1
AREA STATE	ON
GAIN	042
HEIGHT	004
WIDTH	003
LEFT/RIGHT	006
TOP/BOTTOM	005
RETURN	RET ←↵

- AREA SEL (AREA1/AREA2)
- GAIN (042 / 0-255)
- HEIGHT (4 / 0-10)
- WIDTH (3 / 0-9)
- LEFT/RIGHT (6 / 0-6)
- TOP/BOTTOM (10 / 0-10)

### • HLC

LEVEL	200
MODE	ALL DAY
RETURN	RET ←↵

- LEVEL (200 / 0-255)
- MODE (ALL DAY / NIGHT ONLY)

## Camera Menu

### • DAY & NIGHT (AUTO / COLOR / B&W / EXT)

D&N AUTO	
D → N LEVEL	080
D → N DELAY	3 SEC
N → D LEVEL	032
N → D DELAY	1 SEC
RETURN	RET ←↵

- DAY → NIGHT LEVEL (80 / 0-176)
- DAY → NIGHT DELAY (3 / 1-30)
- NIGHT → DAY LEVEL (032 / 0-255)
- NIGHT → DAY DELAY (1 / 1-30)

### • D&N B&W

BURST	OFF
IR SMART	OFF
IR LEVEL	HIGH
RETURN	RET ←↵

- BURST (OFF/ON)
- IR SMART (OFF/ON)
- IR LEVEL (HIGH/LOW)

## Parameters

Model	SpeedyBee Eachine Camera
Image Sensor	1/3" SONY Super HAD II CCD
Horizontal Resolution	600TVL
Lens	2.3mm Lens(M8)
Signal System	PAL/NTSC
S/N Ratio	>60dB (AGC OFF)
Electronic Shutter Speed	PAL: 1/50~100,000; NTSC: 1/60~100,000
Auto Gain Control (AGC)	Yes
Back Light Compensation (BLC)	Yes
Min. Illumination	0.01Lux@1.2F
WDR	D-WDR
DNR	2DNR
Day/Night	Color/Auto/B&W
Power	DC 5-36V
Net Weight	5.8g
Dimensions	19mm*19mm*19mm