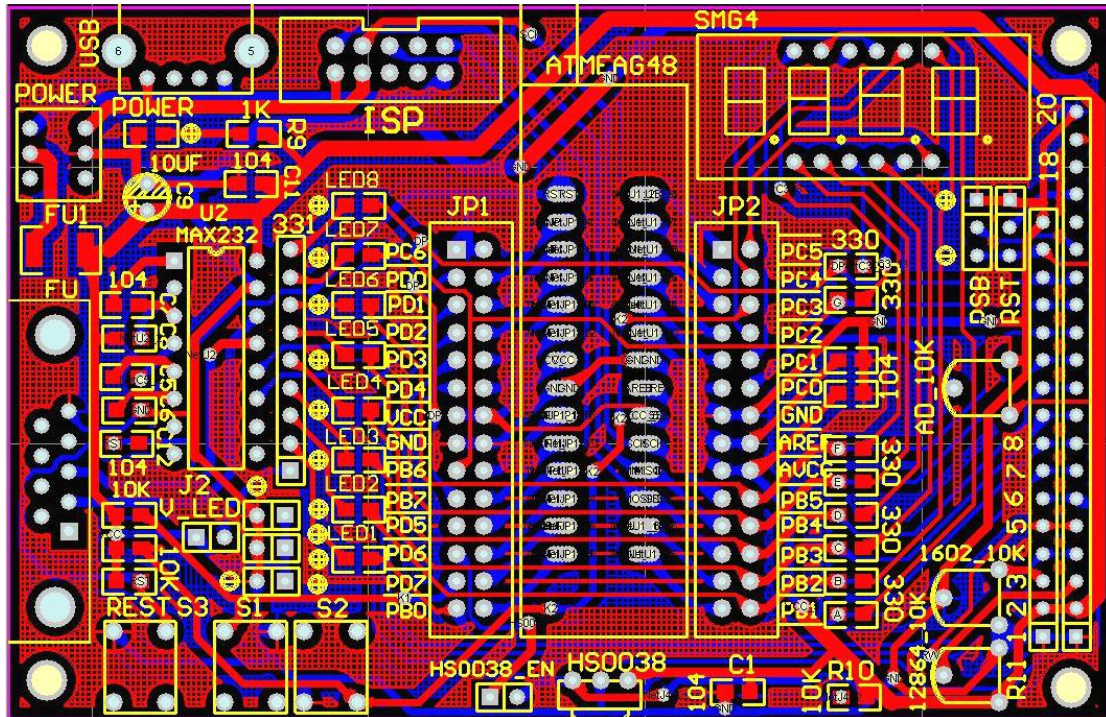
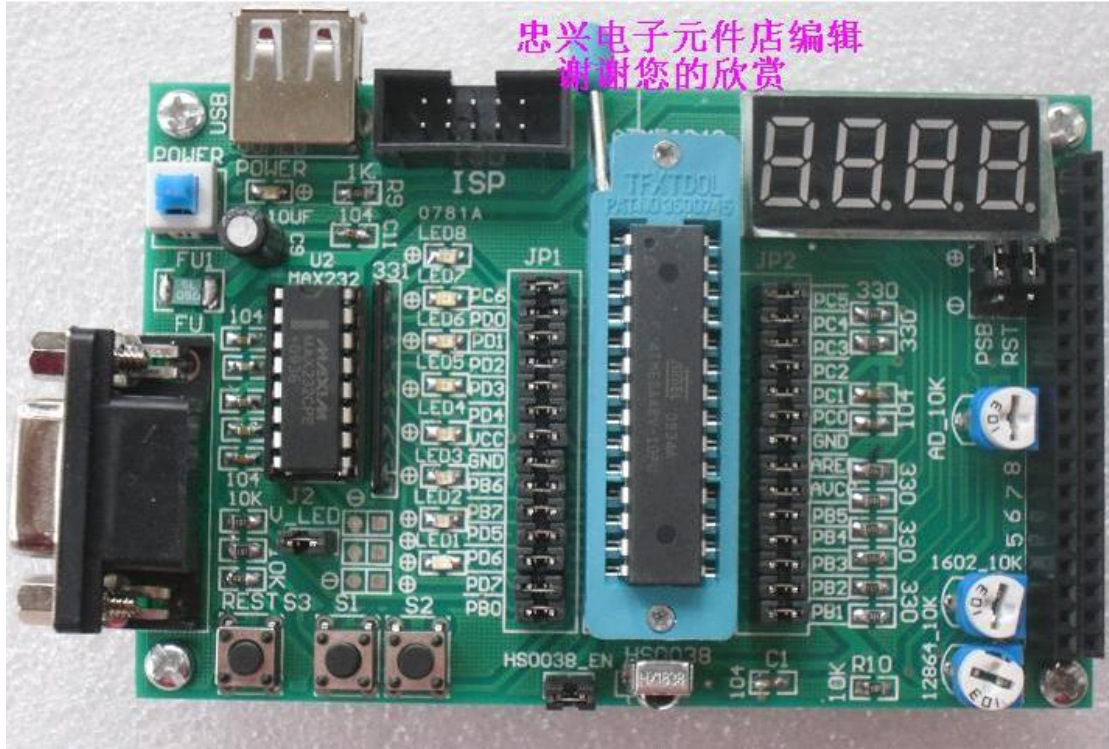
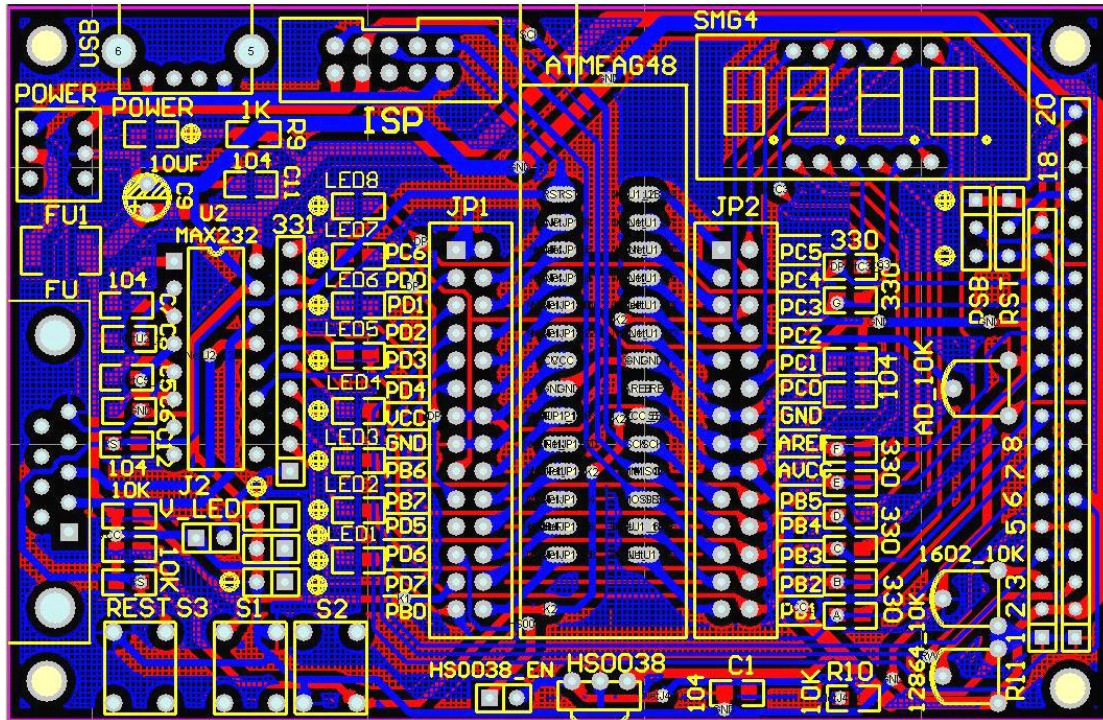


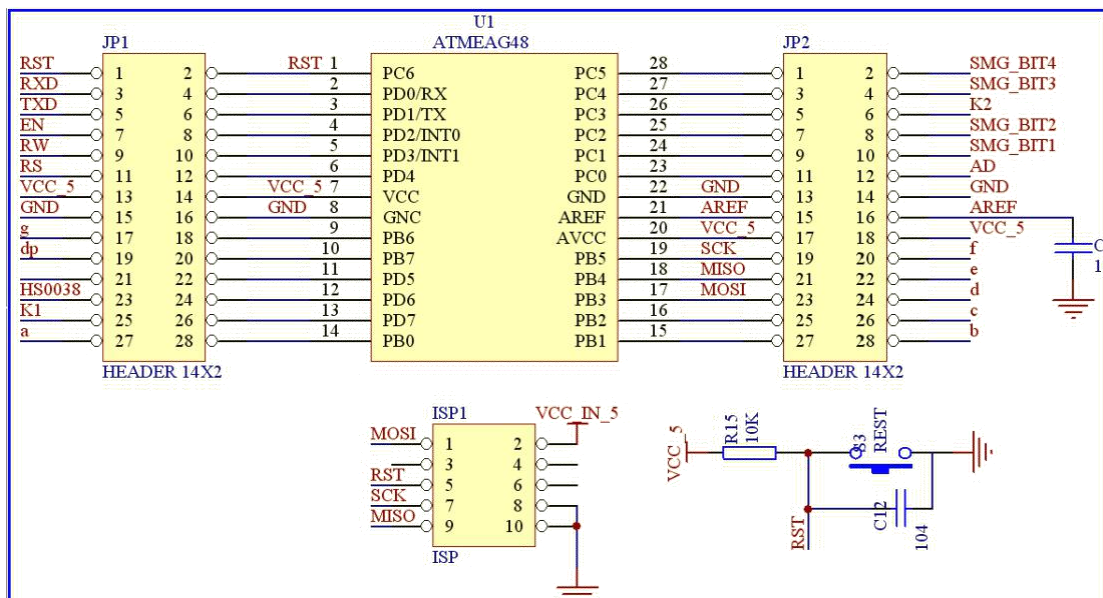
ATMEGA48_88_168_1 Development Board

Schematic

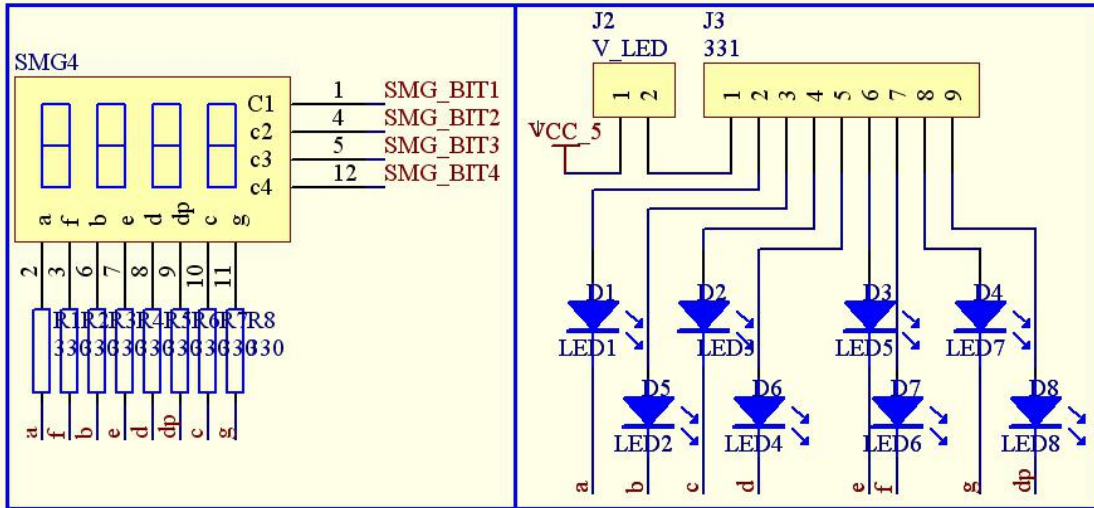




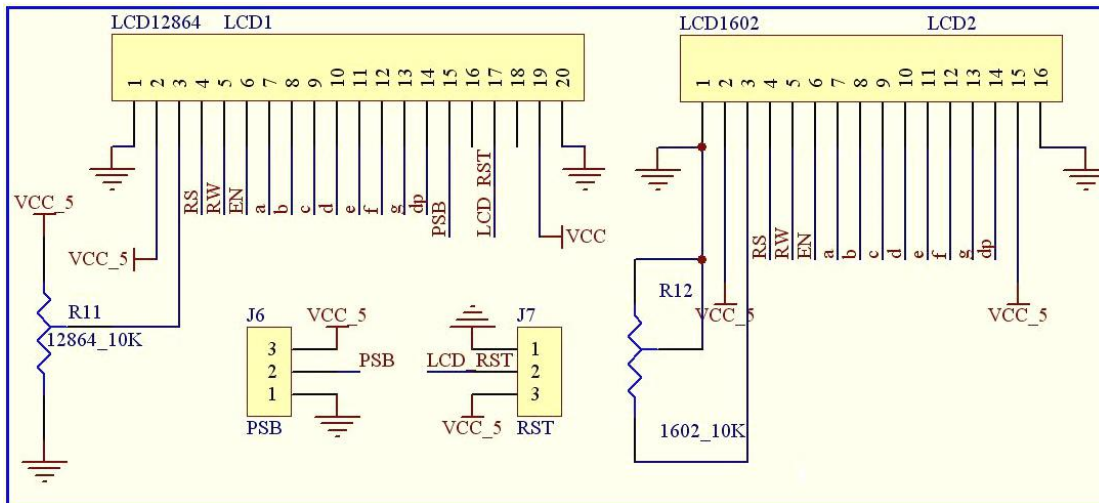
ATMEGA circuit diagram



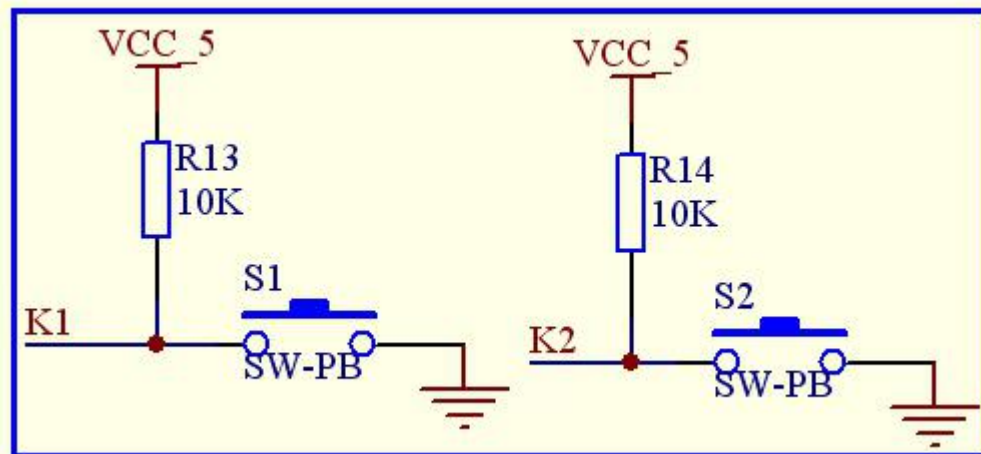
Digital tube and LED control circuit:



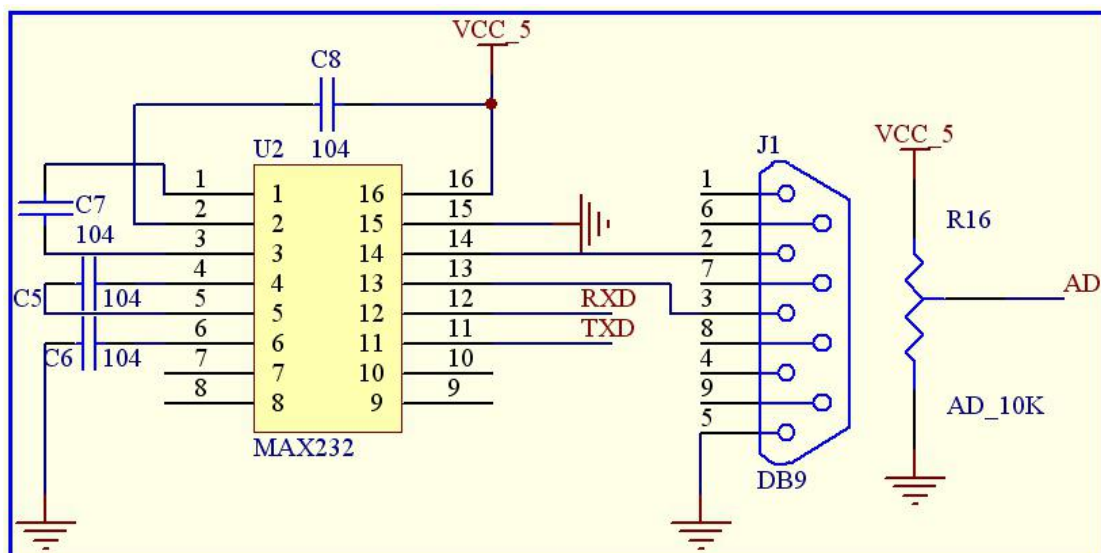
LED control circuit:



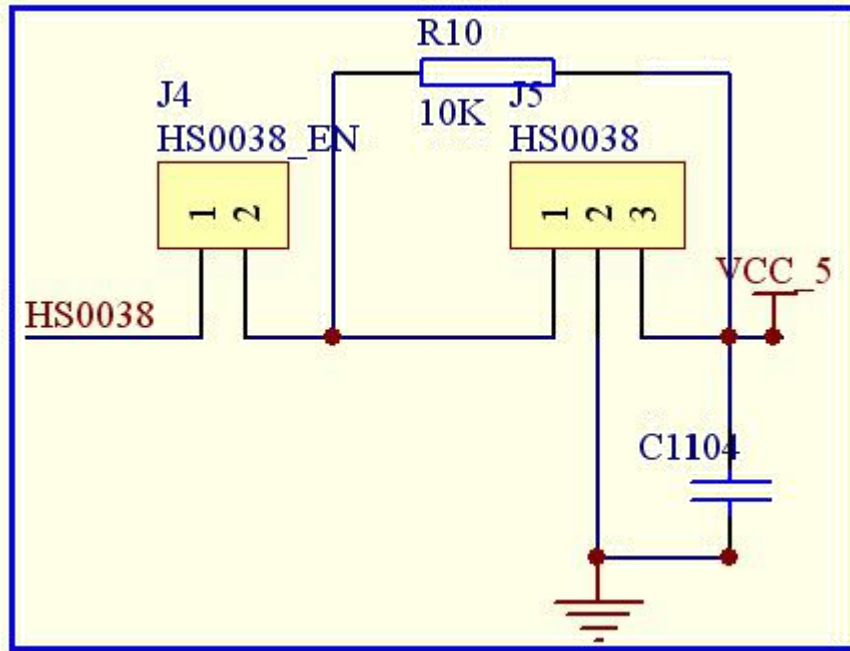
button circuit:



Serial communication
circuit and AD:



Integrated infrared
receiver:



Power Interface and Indicator Circuit:

