

PDB-XPW w/ Current Module 140A

The PDB-XPW distributes power from a LiPo pack to 4 ESCs, as well as providing synchronised & regulated DC 5V outputs & linear regulated DC 12V for powering Cameras, RC receiver, Flight Controllers, Video Transmitters, LEDs, etc. It also has built-in 140A current module, and offers a XT60PW socket to connect the LiPo pack conveniently.

Features

- 2oz copper, 4-layers & 2mm PCB.
- Built-in current sensor 140A
- Built-in XT60PW Socket
- Total 4 pairs ESC solder tabs are fit for X type frame
- 5V & 12V Output LED indicators & Short circuit tolerant

Specifications

General:

- Input voltage range (3S-5S LiPo operation): 9 - 21V DC
- PDB: 4 x 35A
- Regulated 5V and 12V outputs
- Current module 140A
- LED power indicators (5V & 12V outputs)

Current Module

- 150A
- 3.3V ADC

BEC 5V output:

- Designed for RC Receivers, Flight controllers, OSD, and Servos.
- DC/DC synchronous buck regulator.
- Voltage: 5.0 +/- 0.1VDC
- Continuous current: 2 Amps (Max.2.5A 10s/minute)
- Output Ripple: 40mV (Vin=16V, VOut=5V@2A load)
- Short-circuit tolerant (5 seconds/minute)

BEC 12V output:

- Designed for Video TX or FPV camera with linear regulator.
- The battery should be 4-5S LiPo (13-21V DC)
- Voltage: 12.0 +/- 0.3VDC
- Continuous current: 500mA (Max.0.8A 5s/minute)
- Short-circuit tolerant (2 seconds/minute)

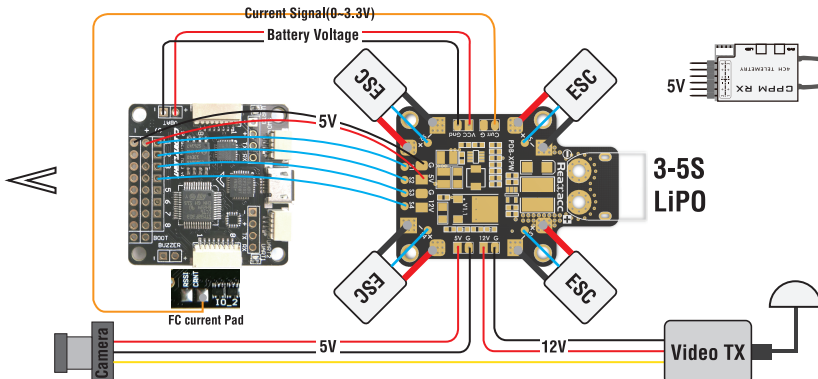
BEC 12V @ 3S LiPo

- Output voltage= 3S LiPo voltage -1V

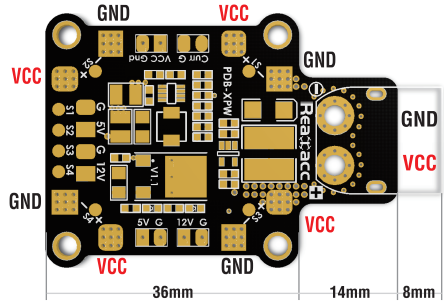
Physical:

- Mounting: 30.5 x 30.5mm, Φ3mm
- Dimensions: 36 x 50 x 4 mm (w/o XT60PW), 36 x 58 X10.5mm (w/ XT60PW)
- Weight: 7.0g(w/o XT60PW), 11g(w/ XT60PW)

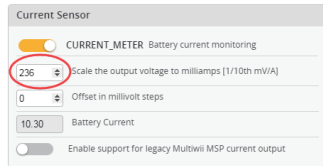
Connections



Layout



VCC=Battery Voltage



Set "236" in FC GUI