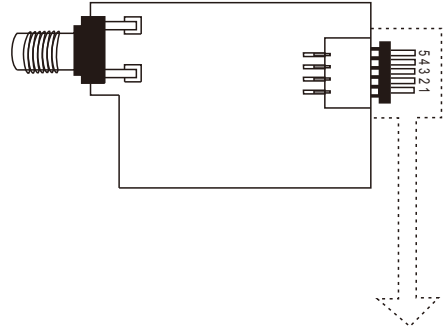


Channel Frequency Table

FR1 ㄅ	CH1	---	5865	---	MHZ
	CH2	---	5845	---	MHZ
	CH3	---	5825	---	MHZ
	CH4	---	5805	---	MHZ
	CH5	---	5785	---	MHZ
	CH6	---	5765	---	MHZ
	CH7	---	5745	---	MHZ
	CH8	---	5725	---	MHZ
FR2 ㄆ	CH1	---	5733	---	MHZ
	CH2	---	5752	---	MHZ
	CH3	---	5771	---	MHZ
	CH4	---	5790	---	MHZ
	CH5	---	5809	---	MHZ
	CH6	---	5828	---	MHZ
	CH7	---	5847	---	MHZ
	CH8	---	5866	---	MHZ
FR3 ㄇ	CH1	---	5705	---	MHZ
	CH2	---	5685	---	MHZ
	CH3	---	5665	---	MHZ
	CH4	---	5645	---	MHZ
	CH5	---	5885	---	MHZ
	CH6	---	5905	---	MHZ
	CH7	---	5925	---	MHZ
	CH8	---	5945	---	MHZ
FR4 ㄏ	CH1	---	5740	---	MHZ
	CH2	---	5760	---	MHZ
	CH3	---	5780	---	MHZ
	CH4	---	5800	---	MHZ
	CH5	---	5820	---	MHZ
	CH6	---	5840	---	MHZ
	CH7	---	5860	---	MHZ
	CH8	---	5880	---	MHZ
FR5 ㄏ	CH1	---	5658	---	MHZ
	CH2	---	5695	---	MHZ
	CH3	---	5732	---	MHZ
	CH4	---	5769	---	MHZ
	CH5	---	5806	---	MHZ
	CH6	---	5843	---	MHZ
	CH7	---	5880	---	MHZ
	CH8	---	5917	---	MHZ



Line 1:VDD_IN(7-24V)
Line 2:GND
Line 3:VIDEO_IN
Line 4:AUDIO_IN
Line 5:GND

尺寸：71.5*119mm
正反打印